

Parts Catalogue

for model
MC 534 TR 4S

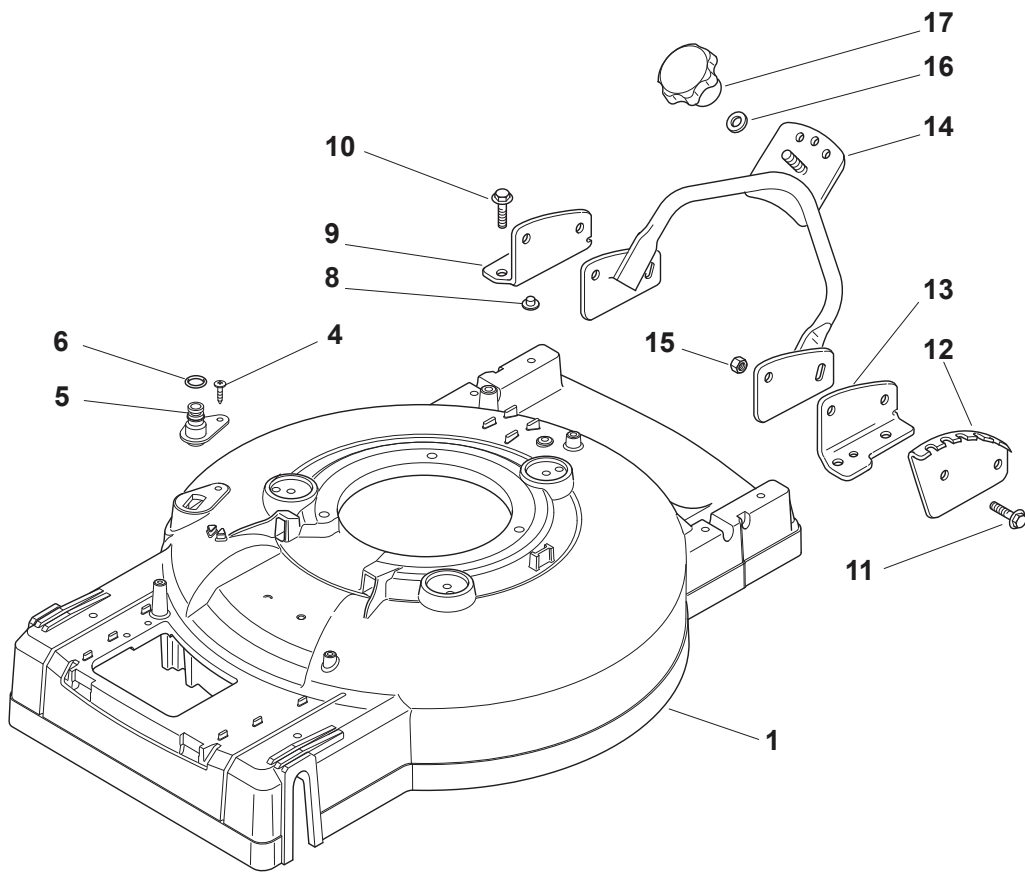
- Use GLOBAL GARDEN PRODUCT Genuine Spare Parts specified in the parts list for repair and/or replacement.
- The contents described in the parts list may change due to improvement.
- The drawings of the spare parts are only indicative and might not represent the part in question exactly.
- The indications "right" - "left" - "front" - "rear" refer to the position of the operator when using the machine.
- When placing orders of parts for repair and/or replacement, make sure that the illustrated parts list is the one applying to the machine's year of manufacture, as shown on the identification plate attached to the machine.

© Copyright 2015 Global Garden Products

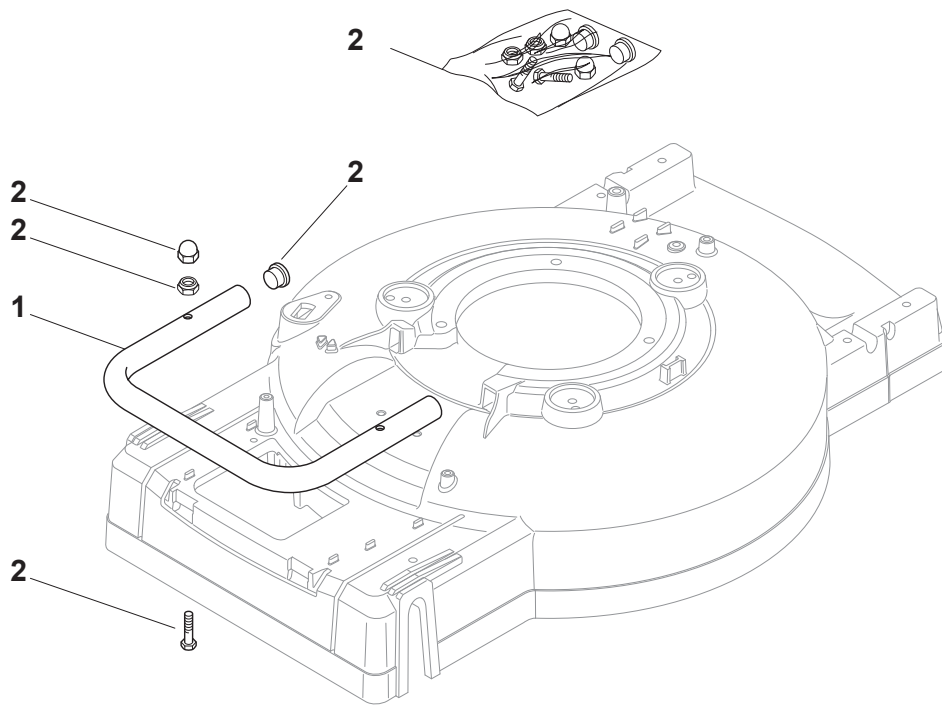
All content is subject to copyright by Global Garden Products and may not be reproduced in whole or in part by any means, electronic or otherwise, without prior written approval.

THIS INFORMATION IS NOT INTENDED FOR SALE OR RESALE, AND THIS NOTICE MUST REMAIN ON ALL COPIES.





| Fig. | Quantity | Part No | Description | Notes |
|------|----------|-------------|----------------------------|--------|
| 1 | 1 | 381004736/0 | Grey Deck | |
| 4 | 1 | 112727802/0 | Screw | |
| 5 | 1 | 122034000/0 | Washing Connection | |
| 6 | 1 | 119035000/0 | Or Ring | |
| 8 | 2 | 322820054/0 | White Cap | |
| 9 | 1 | 322778417/0 | Right Bracket | |
| 10 | 4 | 112735595/0 | Screw | |
| 11 | 4 | 112800815/0 | Screw | |
| 12 | 1 | 322735569/0 | Sector, Height Adjustment | |
| 13 | 1 | 322778415/0 | Bracket, Left | |
| 14 | 1 | 381006361/1 | Handle, Middle Part Yellow | Yellow |
| 14 | 1 | 381006365/1 | Handle, Middle Part Black | Black |
| 14 | 1 | 381006369/0 | Handle, Middle Part Grey | Grey |
| 15 | 4 | 112293200/0 | Nut | |
| 16 | 1 | 112523080/0 | Washer | |
| 17 | 1 | 322399813/0 | Knob | |

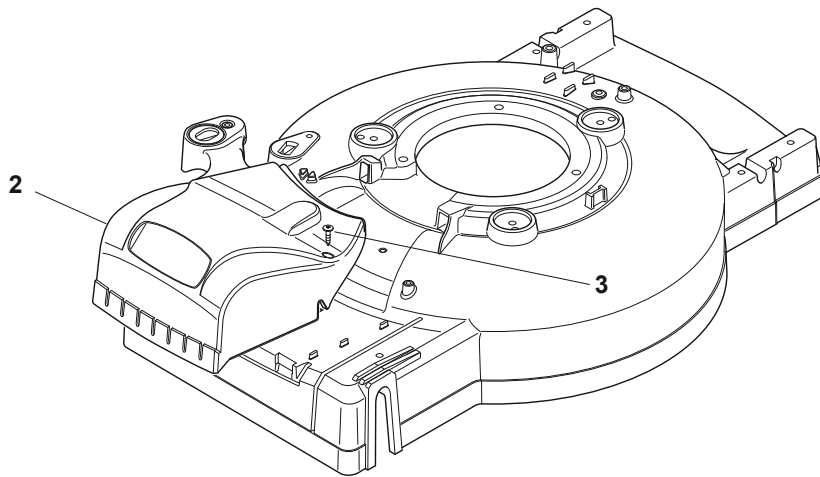


MC 534 TR 4S

WBH Petrol Aluminium Mask

Issue 7 - 2015

| Fig. | Quantity | Part No | Description | Notes |
|------|----------|-------------|----------------|-------|
| 1 | 1 | 322869713/0 | Tube | |
| 2 | 1 | 381008657/0 | Outfit, Screws | |

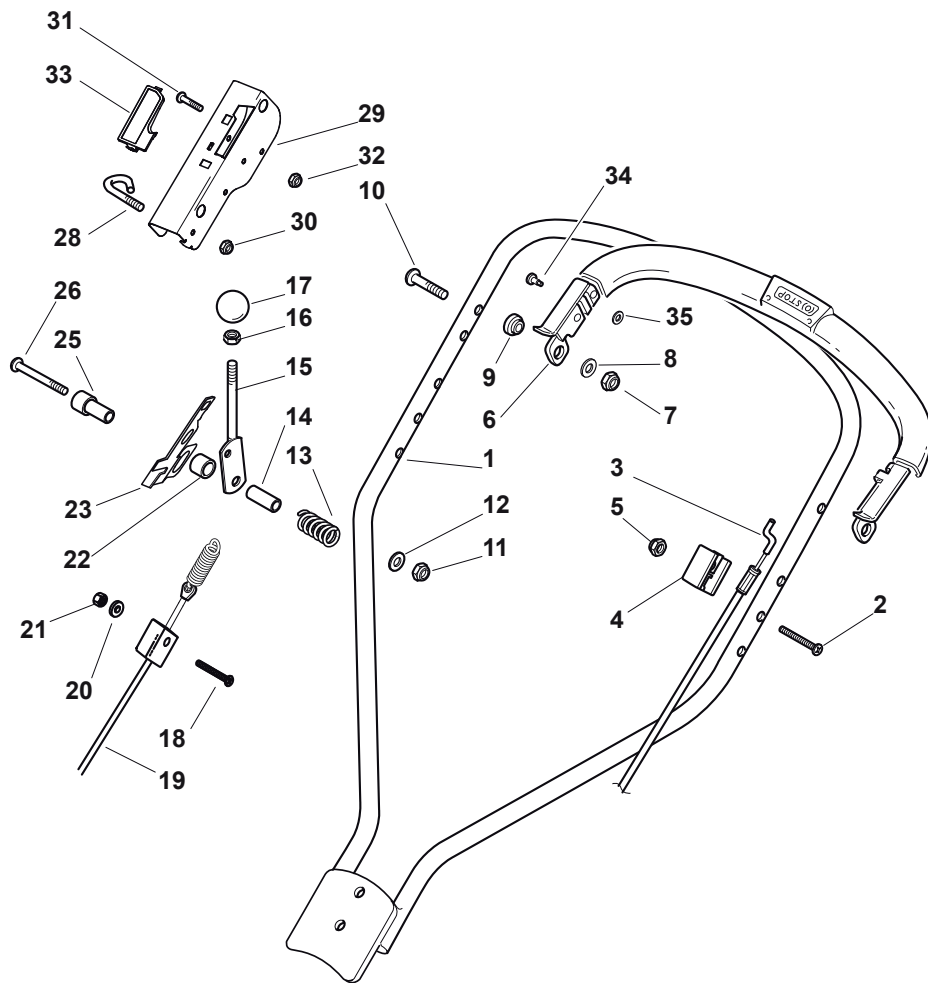


MC 534 TR 4S

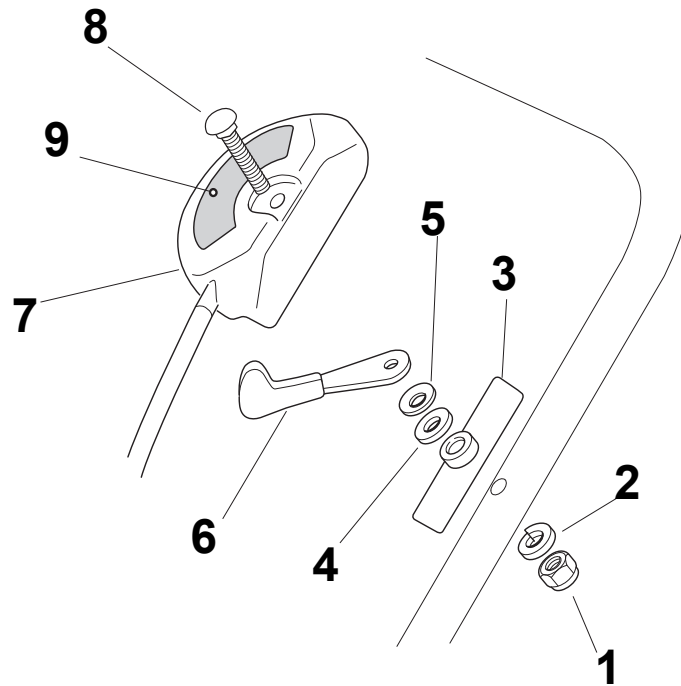
WBH Petrol Aluminium Protection, Belt

Issue 7 - 2015

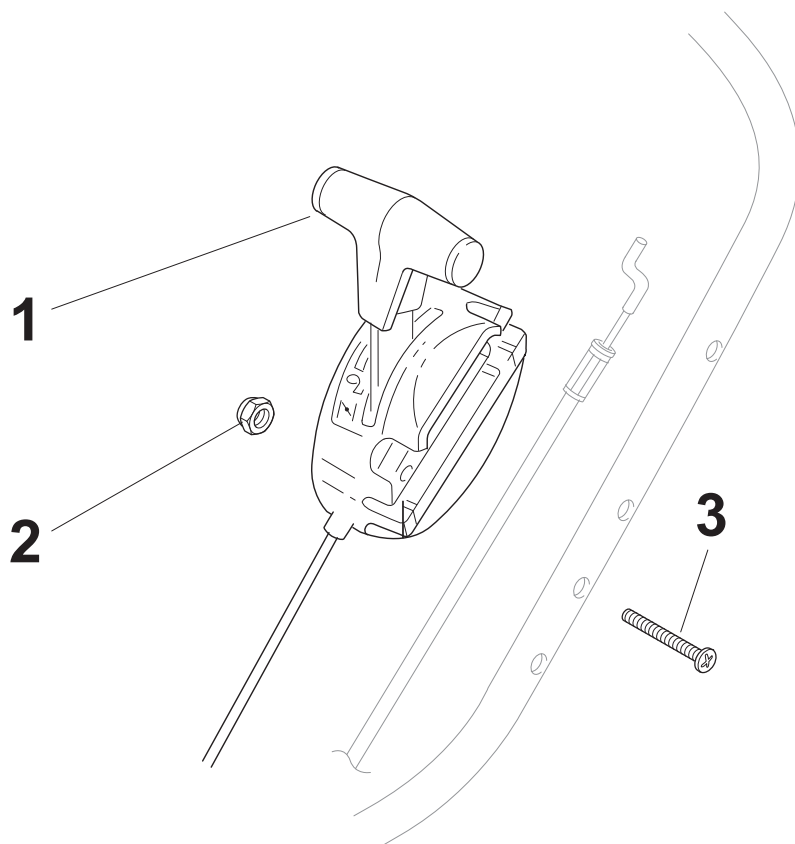
| Fig. | Quantity | Part No | Description | Notes |
|------|----------|-------------|-------------------------|-------|
| 2 | 1 | 322226198/0 | Protection, Belt Yellow | |
| 3 | 2 | 112728440/0 | Screw | |



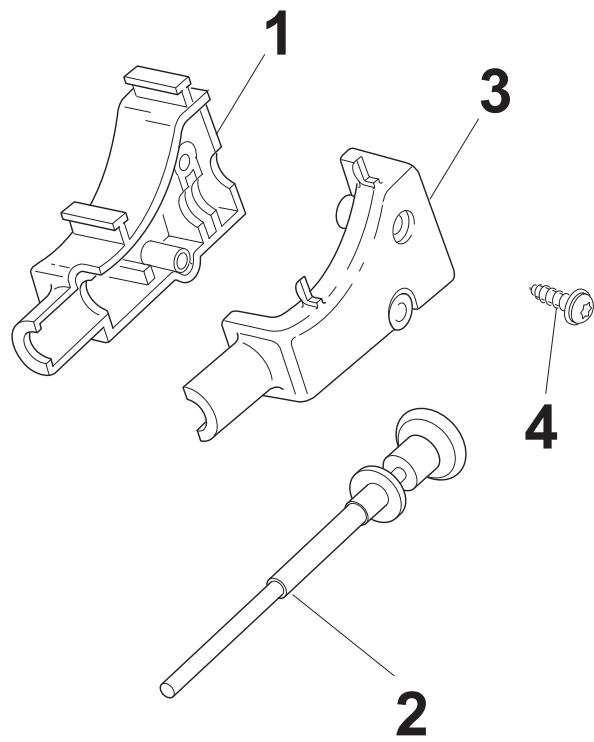
| Fig. | Quantity | Part No | Description | Notes |
|------|----------|-------------|----------------------------|-------------------------------------|
| 1 | 1 | 381006363/3 | Handle, Upper Part Yellow | Yellow |
| 1 | 1 | 381006367/2 | Handle, Upper Part Black | Black |
| 1 | 1 | 381006371/0 | Handle, Upper Part Grey | Grey |
| 2 | 1 | 112727784/0 | Screw | |
| 3 | 1 | 181000690/0 | Cable, Thread Engine Brake | for B&S 700 Series |
| 3 | 1 | 181000692/0 | Cable, Thread Engine Brake | for GGP Engines |
| 3 | 1 | 181000728/0 | Cable, Thread Engine Brake | for B&S 625/675 Series |
| 3 | 1 | 181000730/0 | Cable, Thread Engine Brake | for B&S 750 Series/GGP 150cc Engine |
| 3 | 1 | 181000732/0 | Cable, Thread Engine Brake | for HONDA Engines |
| 3 | 1 | 181000769/1 | Cable, Thread Engine Brake | for B&S 450/500 Series |
| 4 | 1 | 322551639/0 | Fixed Plate | |
| 5 | 1 | 112154510/0 | Nut | |
| 6 | 1 | 381003318/1 | Lever, Engine Brake | |
| 7 | 2 | 112154510/0 | Nut | |
| 8 | 2 | 112521330/0 | Washer | |
| 9 | 2 | 122671660/1 | Washer | |
| 10 | 2 | 112727784/0 | Screw | |
| 11 | 1 | 112292100/0 | Nut | |
| 12 | 1 | 112530060/0 | Spring Washer | |
| 13 | 1 | 122450446/0 | Spring | |
| 14 | 1 | 122170840/0 | Spacer | |
| 15 | 1 | 381003313/0 | Driving Lever | |
| 16 | 1 | 112293200/0 | Nut | |
| 17 | 1 | 322399812/0 | Knob | |
| 18 | 1 | 112727791/0 | Screw | |
| 19 | 1 | 381000745/1 | Cable Rear Drive | |
| 20 | 1 | 112521330/0 | Washer | |
| 21 | 1 | 112154510/0 | Nut | |
| 22 | 1 | 122170842/0 | Spacer | |
| 23 | 1 | 322551653/0 | Plate | |
| 25 | 1 | 122170843/0 | Spacer | |
| 26 | 1 | 112727786/0 | Screw | |
| 28 | 1 | 122430314/0 | Starting Rope Guide Spring | |
| 29 | 1 | 381004405/0 | Dashboard | |
| 30 | 1 | 112154510/0 | Nut | |
| 31 | 1 | 112727792/0 | Screw | |
| 32 | 1 | 112154510/0 | Nut | |
| 33 | 1 | 322500050/0 | Shoe | |
| 34 | 1 | 122524342/0 | Pin | |
| 35 | 1 | 112604897/0 | Elastic Washer | |



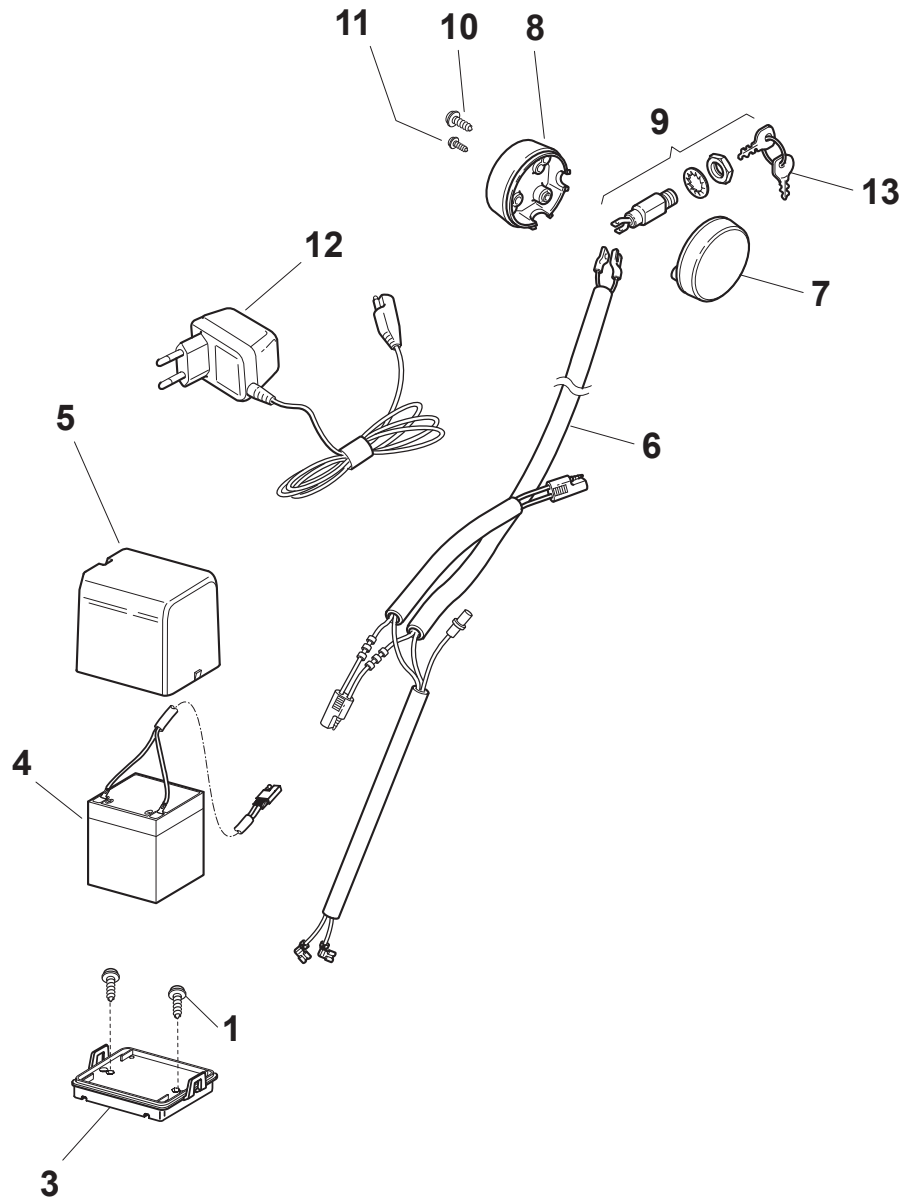
| Fig. | Quantity | Part No | Description | Notes |
|------|----------|-------------|----------------|--|
| 1 | 1 | 112291000/0 | Nut | |
| 2 | 1 | 112581500/0 | Grower | |
| 3 | 1 | 322171006/0 | Spacer | |
| 4 | 1 | 112521360/0 | Washer | |
| 5 | 1 | 112508100/0 | Cup Spring | |
| 6 | 1 | 381007220/0 | Throttle Lever | for SV40-RV 40-V35 Engine/B&S 450-500 Series |
| 6 | 1 | 381007279/1 | Throttle Lever | for B&S-GGP-HONDA Engines |
| 7 | 1 | 481007080/0 | Throttle Cable | |
| 8 | 1 | 112815030/0 | Screw | |
| 9 | 1 | 114356702/0 | Throttle Label | for GGP Engines |
| 9 | 1 | 114356702/0 | Throttle Label | for HONDA Autochoke Engines |
| 9 | 1 | 114356703/0 | Throttle Label | for B&S Engines |
| 9 | 1 | 114356905/0 | Label | for B&S 700-750 Series |
| 9 | 1 | 114364264/0 | Throttle Label | for HONDA Engines |



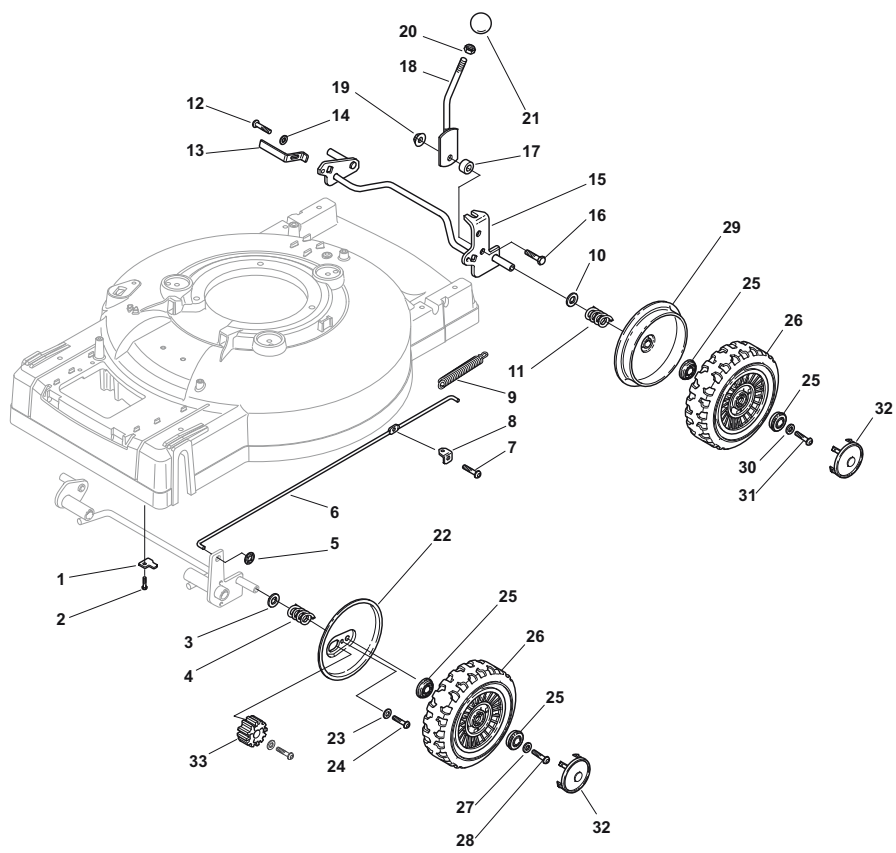
| Fig. | Quantity | Part No | Description | Notes |
|------|----------|-------------|----------------|-------|
| 1 | 1 | 181007130/0 | Throttle Cable | |
| 2 | 1 | 112154510/0 | Nut | |
| 3 | 1 | 112727786/0 | Screw | |



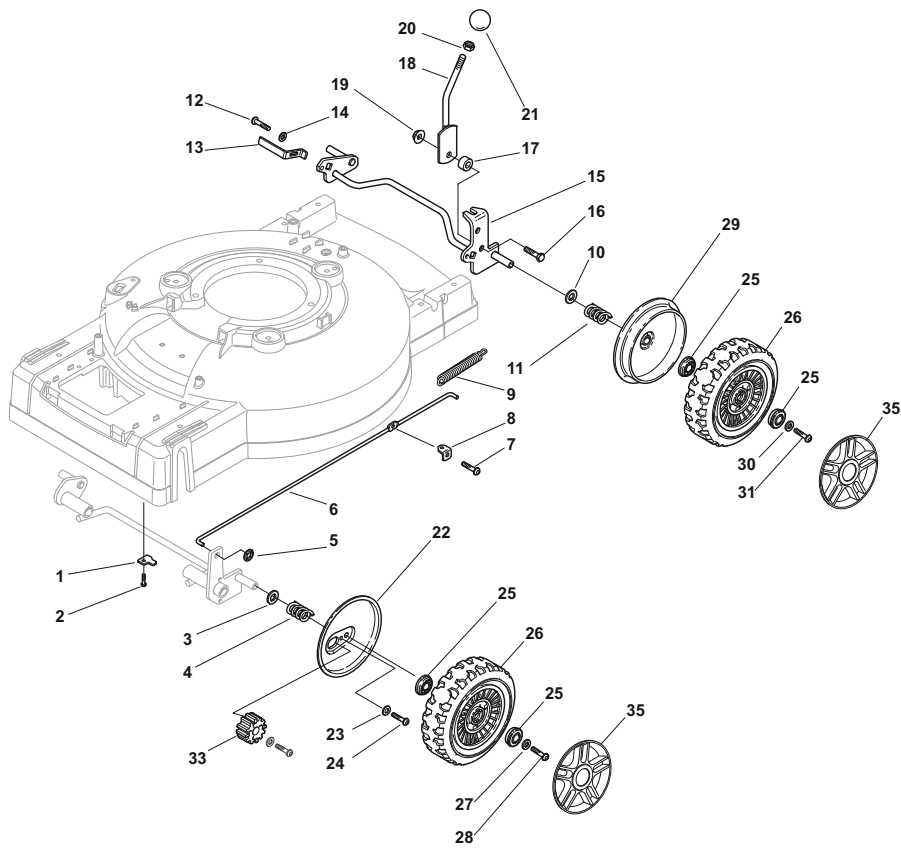
| Fig. | Quantity | Part No | Description | Notes |
|------|----------|-------------|-----------------------------------|---------------------------|
| 1 | 1 | 322722804/1 | Starting Block Inner Half-Bearing | |
| 2 | 1 | 381000742/1 | Starter Drive Control | SV40 / RV 40 / V35 Engine |
| 2 | 1 | 381030022/0 | Starter Drive Control | for GGP Engines |
| 2 | 1 | 381030024/0 | Starter Drive Control | for HONDA Engines |
| 3 | 1 | 322722805/1 | Starting Block Inner Half-Bearing | |
| 4 | 1 | 112728300/0 | Screw | |



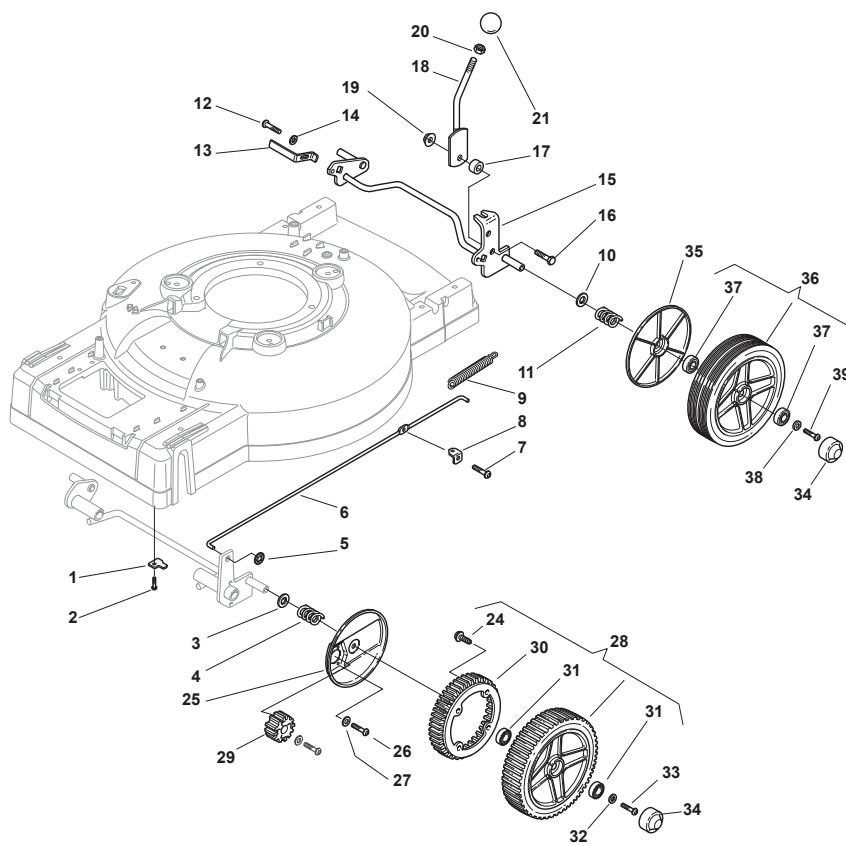
| Fig. | Quantity | Part No | Description | Notes |
|------|----------|-------------|-----------------------------------|-------------------------|
| 1 | 2 | 112728450/0 | Screw | |
| 3 | 1 | 322785122/0 | Battery Support | |
| 4 | 1 | 118120052/0 | Battery | |
| 5 | 1 | 322109530/0 | Battery Cover | |
| 6 | 1 | 118204197/0 | Cable | for B&S and GGP Engines |
| 6 | 1 | 118204198/0 | Starting Cable | for HONDA Engines |
| 7 | 1 | 322722801/0 | Starting Block Outer Half-Bearing | |
| 8 | 1 | 322722800/0 | Starting Block Inner Half-Bearing | |
| 9 | 1 | 118450051/0 | Switch | |
| 10 | 2 | 112728300/0 | Screw | |
| 11 | 1 | 112728691/0 | Screw | |
| 13 | 1 | 118210016/1 | Starting Key | |



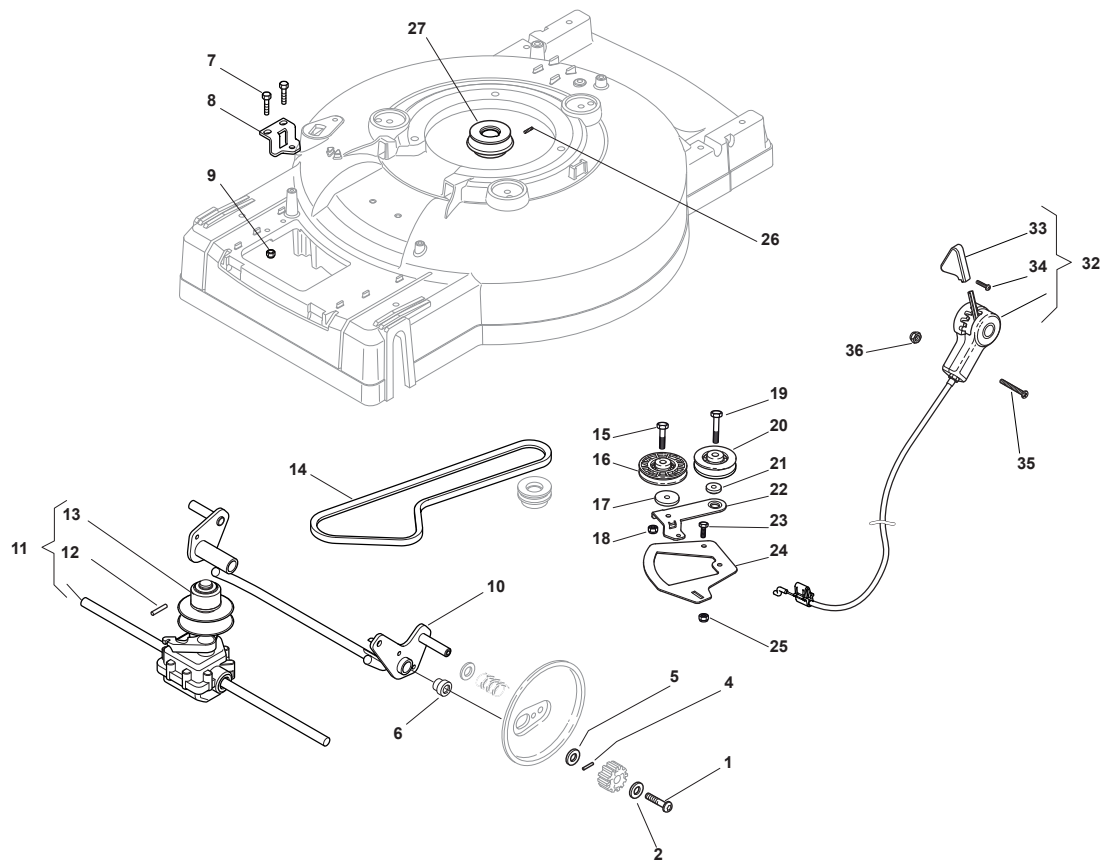
| Fig. | Quantity | Part No | Description | Notes |
|------|----------|-------------|--------------------------|-------|
| 1 | 2 | 322545157/1 | Front Axle Plate | |
| 2 | 4 | 112735662/1 | Screw | |
| 3 | 2 | 122671659/0 | Washer | |
| 4 | 2 | 122430215/0 | Spring | |
| 5 | 2 | 112604899/0 | Crown Fastener | |
| 6 | 1 | 122033331/0 | Wheels Control Rod | |
| 7 | 1 | 112735651/0 | Screw | |
| 8 | 1 | 322545139/0 | Plate | |
| 9 | 1 | 122446183/0 | Spring | |
| 10 | 2 | 122671659/0 | Washer | |
| 11 | 2 | 112154510/0 | Nut | |
| 12 | 2 | 112521330/0 | Washer | |
| 13 | 2 | 322551529/0 | Wheels Cleaning Plate | |
| 14 | 2 | 112521330/0 | Washer | |
| 15 | 1 | 381002835/0 | Rear Wheel Axle | |
| 16 | 1 | 112793701/0 | Screw | |
| 17 | 1 | 122170830/0 | Spacer | |
| 18 | 1 | 381003317/0 | Lever, Height Adjustment | |
| 19 | 1 | 112293201/0 | Nut | |
| 20 | 1 | 112293200/0 | Nut | |
| 21 | 1 | 322399812/0 | Knob | |
| 22 | 2 | 322600121/0 | Protection, Wheel | |
| 23 | 2 | 112521330/0 | Washer | |
| 24 | 2 | 112735661/0 | Screw | |
| 25 | 8 | 122122201/0 | Bearing | |
| 26 | 4 | 381007361/0 | Wheel | |
| 27 | 4 | 112521460/0 | Washer | |
| 28 | 4 | 112735662/1 | Screw | |
| 29 | 2 | 322600122/0 | Protection, Wheel | |
| 30 | 4 | 112521460/0 | Washer | |
| 31 | 4 | 112735662/1 | Screw | |
| 32 | 4 | 322110384/0 | Hub Cap Grey | |
| 33 | 2 | 122570128/0 | Pinion | |



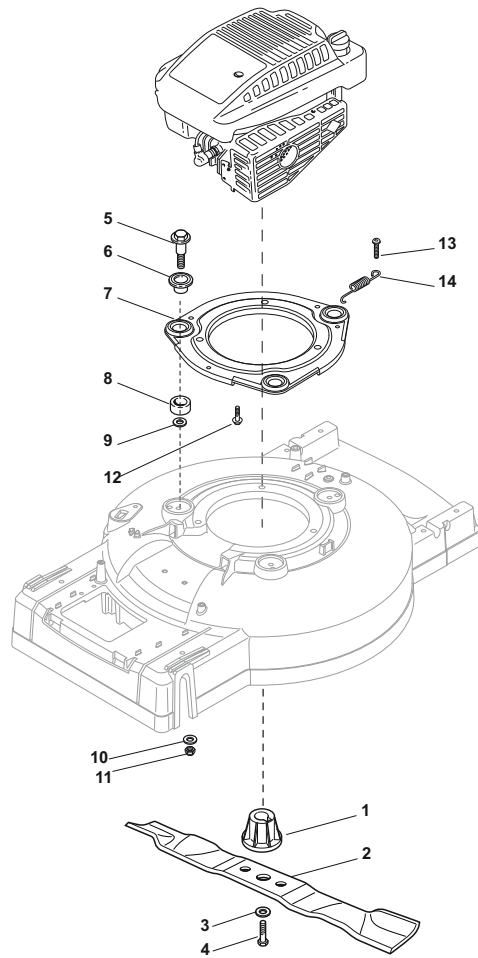
| Fig. | Quantity | Part No | Description | Notes |
|------|----------|-------------|--------------------------|-------|
| 1 | 2 | 322545157/1 | Front Axle Plate | |
| 2 | 4 | 112735662/1 | Screw | |
| 3 | 2 | 122671659/0 | Washer | |
| 4 | 2 | 122430215/0 | Spring | |
| 5 | 2 | 112604899/0 | Crown Fastener | |
| 6 | 1 | 122033331/0 | Wheels Control Rod | |
| 7 | 1 | 112735651/0 | Screw | |
| 8 | 1 | 322545139/0 | Plate | |
| 9 | 1 | 122446183/0 | Spring | |
| 10 | 2 | 122671659/0 | Washer | |
| 11 | 2 | 122430215/0 | Spring | |
| 12 | 2 | 112735661/0 | Screw | |
| 13 | 2 | 322551529/0 | Wheels Cleaning Plate | |
| 14 | 2 | 112521330/0 | Washer | |
| 15 | 1 | 381002835/0 | Rear Wheel Axle | |
| 16 | 1 | 112793701/0 | Screw | |
| 17 | 1 | 122170830/0 | Spacer | |
| 18 | 1 | 381003317/0 | Lever, Height Adjustment | |
| 19 | 1 | 112293201/0 | Nut | |
| 20 | 1 | 112293200/0 | Nut | |
| 21 | 1 | 322399812/0 | Knob | |
| 22 | 2 | 322600121/0 | Protection, Wheel | |
| 23 | 2 | 112523040/0 | Washer | |
| 24 | 2 | 112735661/0 | Screw | |
| 25 | 8 | 122122201/0 | Bearing | |
| 26 | 4 | 381007361/0 | Wheel | |
| 27 | 4 | 112521460/0 | Washer | |
| 28 | 4 | 112735662/1 | Screw | |
| 29 | 2 | 322600122/0 | Protection, Wheel | |
| 30 | 4 | 112521460/0 | Washer | |
| 31 | 4 | 112735662/1 | Screw | |
| 33 | 2 | 322570129/0 | Pinion | |
| 35 | 4 | 322110492/0 | Hub Cap Grey | |



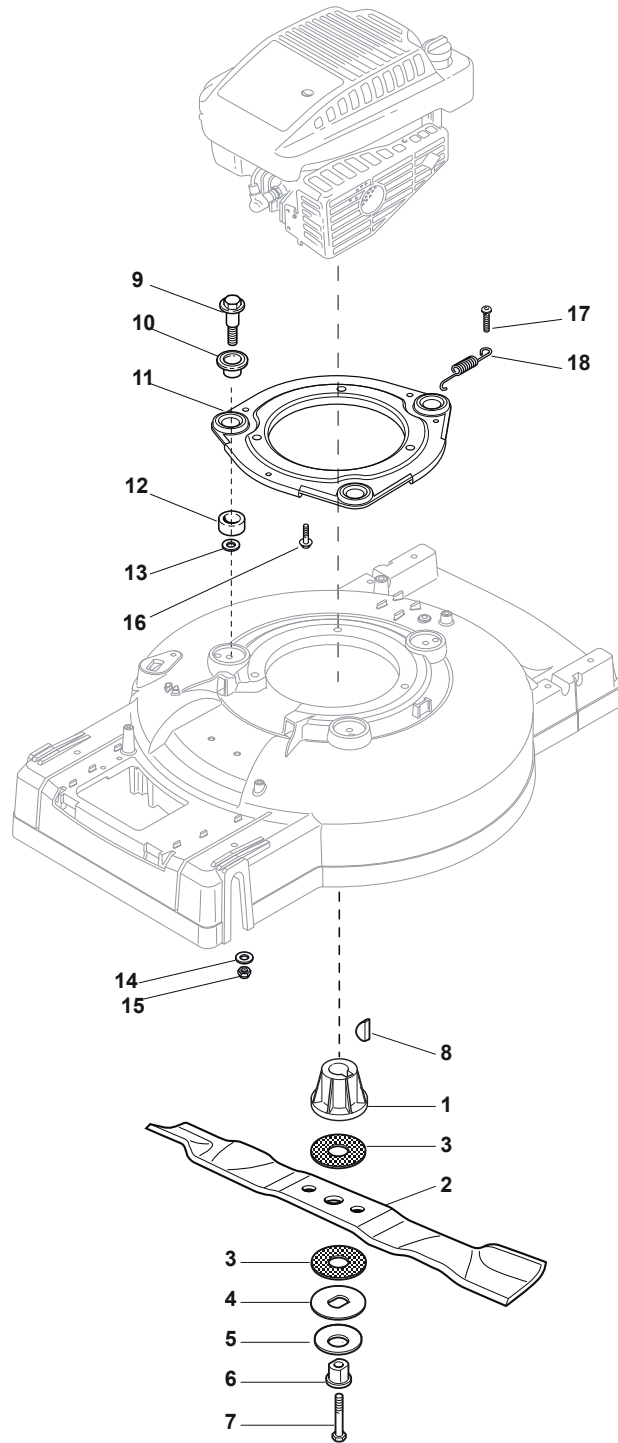
| Fig. | Quantity | Part No | Description | Notes |
|------|----------|-------------|--------------------------|-------|
| 1 | 2 | 322545157/1 | Front Axle Plate | |
| 2 | 4 | 112735662/1 | Screw | |
| 3 | 2 | 122671659/0 | Washer | |
| 4 | 2 | 122430215/0 | Spring | |
| 5 | 2 | 112604899/0 | Crown Fastener | |
| 6 | 1 | 122033331/0 | Wheels Control Rod | |
| 7 | 1 | 112735651/0 | Screw | |
| 8 | 1 | 322545139/0 | Plate | |
| 9 | 1 | 122446183/0 | Spring | |
| 10 | 2 | 122671659/0 | Washer | |
| 11 | 2 | 122430215/0 | Spring | |
| 12 | 2 | 112735661/0 | Screw | |
| 13 | 2 | 322551529/0 | Wheels Cleaning Plate | |
| 14 | 2 | 112521330/0 | Washer | |
| 15 | 1 | 381002835/0 | Rear Wheel Axle | |
| 16 | 1 | 112793701/0 | Screw | |
| 17 | 1 | 122170830/0 | Spacer | |
| 18 | 1 | 381003317/0 | Lever, Height Adjustment | |
| 19 | 1 | 112293201/0 | Nut | |
| 20 | 1 | 112293200/0 | Nut | |
| 21 | 1 | 322399812/0 | Knob | |
| 24 | 4 | 112728210/0 | Screw | |
| 25 | 2 | 322600129/0 | Protection, Wheel | |
| 26 | 4 | 112735661/0 | Screw | |
| 27 | 4 | 112521330/0 | Washer | |
| 28 | 2 | 381007367/0 | Wheel | |
| 29 | 2 | 122570128/0 | Pinion | |
| 30 | 2 | 322120108/0 | Wheels Crown | |
| 31 | 4 | 119216038/0 | Bearing | |
| 32 | 2 | 112521460/0 | Washer | |
| 33 | 2 | 112735662/1 | Screw | |
| 34 | 4 | 322110380/0 | Hub Cap Black | |
| 35 | 2 | 322600130/0 | Protection, Wheel | |
| 36 | 2 | 381007365/0 | Wheel | |
| 37 | 4 | 119216038/0 | Bearing | |
| 38 | 2 | 112521460/0 | Washer | |
| 39 | 2 | 112735662/1 | Screw | |



| Fig. | Quantity | Part No | Description | Notes |
|------|----------|-------------|---------------------------|-------|
| 1 | 2 | 112735662/1 | Screw | |
| 2 | 2 | 112521460/0 | Washer | |
| 4 | 2 | 122753002/0 | Pin | |
| 5 | 2 | 122671661/0 | Washer | |
| 6 | 2 | 122038406/0 | Bushing | |
| 7 | 2 | 112728704/0 | Screw | |
| 8 | 1 | 322551661/0 | Plate | |
| 9 | 2 | 112154510/0 | Nut | |
| 10 | 1 | 381002833/2 | Axle, Front Wheels | |
| 11 | 1 | 181003101/2 | Gear Box | |
| 12 | 1 | 112645700/0 | Elastic Pin | |
| 13 | 1 | 122601932/0 | Pulley | |
| 14 | 1 | 135064383/0 | Belt | |
| 15 | 1 | 112674701/0 | Screw | |
| 16 | 1 | 122601914/0 | Pulley | |
| 17 | 1 | 322680009/0 | Washer | |
| 18 | 1 | 112154510/0 | Nut | |
| 19 | 1 | 112689500/0 | Screw | |
| 20 | 1 | 122601915/0 | Pulley | |
| 21 | 1 | 122671656/0 | Washer | |
| 22 | 1 | 322320007/0 | Lever | |
| 23 | 1 | 112791011/0 | Screw | |
| 24 | 1 | 322806629/0 | Pulley Lever Support | |
| 25 | 2 | 112154510/0 | Nut | |
| 26 | 1 | 112714312/0 | Dowel | |
| 27 | 1 | 122601917/0 | Pulley, Crankshaft Ø 22.2 | |
| 27 | 1 | 122601920/0 | Pulley, Crankshaft Ø 25 | |
| 32 | 1 | 381007112/0 | Speed Control Ass.Y | |
| 33 | 1 | 322399820/0 | Knob | |
| 34 | 1 | 112728300/0 | Screw | |
| 35 | 2 | 112727787/0 | Screw | |
| 36 | 2 | 112154510/0 | Nut | |



| Fig. | Quantity | Part No | Description | Notes |
|------|----------|-------------|------------------------|-------------------|
| 1 | 1 | 122465623/0 | Hub, Crankshaft Ø 22.2 | |
| 2 | 1 | 181004138/0 | Mulching Blade | |
| 3 | 1 | 112530140/0 | Washer | |
| 4 | 1 | 112736850/0 | Screw | |
| 5 | 3 | 122524329/0 | Pin | |
| 6 | 3 | 322672201/0 | Washer | |
| 7 | 1 | 322207221/1 | Black Flange | Black |
| 7 | 1 | 381207225/1 | Yellow Motor Flange | Yellow |
| 8 | 3 | 322250012/0 | No Vibrations Rubber | |
| 9 | 3 | 122671651/0 | Washer | |
| 10 | 3 | 112521350/0 | Washer | |
| 11 | 3 | 112155000/0 | Nut | |
| 12 | 3 | 112735108/1 | Screw | |
| 13 | 1 | 112729601/1 | Screw | |
| 14 | 1 | 122450449/0 | Spring | for 4Speed Models |



| Fig. | Quantity | Part No | Description | Notes |
|------|----------|-------------|----------------------------------|-------------------|
| 1 | 1 | 122465621/0 | Hub, Crankshaft Ø 22.2 | |
| 1 | 1 | 122465632/0 | Hub With Pulley, Crankshaft Ø 25 | |
| 2 | 1 | 181004139/0 | Mulching Blade | |
| 3 | 2 | 322672110/1 | Washer | |
| 4 | 1 | 322672105/0 | Washer | |
| 5 | 1 | 112508120/0 | Cup Spring | |
| 6 | 1 | 122041940/0 | Bushing | |
| 7 | 1 | 112736850/0 | Screw | |
| 8 | 1 | 112139100/0 | Feather, Crankshaft Ø 22,2 | |
| 8 | 1 | 112139150/0 | Feather, Crankshaft Ø 25 | |
| 9 | 3 | 122524329/0 | Pin | |
| 10 | 3 | 322672201/0 | Washer | |
| 11 | 1 | 322207221/1 | Black Flange | Black |
| 11 | 1 | 381207225/1 | Yellow Motor Flange | Yellow |
| 12 | 3 | 322250012/0 | No Vibrations Rubber | |
| 13 | 3 | 122671651/0 | Washer | |
| 14 | 3 | 112521350/0 | Washer | |
| 15 | 3 | 112155000/0 | Nut | |
| 16 | 3 | 112735108/1 | Screw | |
| 17 | 1 | 112729601/1 | Screw | |
| 18 | 1 | 122450449/0 | Spring | for 4Speed Models |

| | | | | | | | | | | | |
|-------------|----|---|-------|-------------|----|---|-------|-------------|----|---|-------|
| 112139100/0 | 8 | 1 | p. 29 | 112728210/0 | 24 | 4 | p. 23 | 122430215/0 | 4 | 2 | p. 19 |
| 112139150/0 | 8 | 1 | p. 29 | 112728300/0 | 4 | 1 | p. 15 | 122430215/0 | 4 | 2 | p. 21 |
| 112154510/0 | 2 | 1 | p. 13 | 112728300/0 | 10 | 2 | p. 17 | 122430215/0 | 4 | 2 | p. 23 |
| 112154510/0 | 5 | 1 | p. 9 | 112728300/0 | 34 | 1 | p. 25 | 122430215/0 | 11 | 2 | p. 21 |
| 112154510/0 | 7 | 2 | p. 9 | 112728440/0 | 3 | 2 | p. 7 | 122430215/0 | 11 | 2 | p. 23 |
| 112154510/0 | 9 | 2 | p. 25 | 112728450/0 | 1 | 2 | p. 17 | 122430314/0 | 28 | 1 | p. 9 |
| 112154510/0 | 11 | 2 | p. 19 | 112728691/0 | 11 | 1 | p. 17 | 122446183/0 | 9 | 1 | p. 19 |
| 112154510/0 | 18 | 1 | p. 25 | 112728704/0 | 7 | 2 | p. 25 | 122446183/0 | 9 | 1 | p. 21 |
| 112154510/0 | 21 | 1 | p. 9 | 112729601/1 | 13 | 1 | p. 27 | 122446183/0 | 9 | 1 | p. 23 |
| 112154510/0 | 25 | 2 | p. 25 | 112729601/1 | 17 | 1 | p. 29 | 122450446/0 | 13 | 1 | p. 9 |
| 112154510/0 | 30 | 1 | p. 9 | 112735108/1 | 12 | 3 | p. 27 | 122450449/0 | 14 | 1 | p. 27 |
| 112154510/0 | 32 | 1 | p. 9 | 112735108/1 | 16 | 3 | p. 29 | 122450449/0 | 18 | 1 | p. 29 |
| 112154510/0 | 36 | 2 | p. 25 | 112735595/0 | 10 | 4 | p. 3 | 122465621/0 | 1 | 1 | p. 29 |
| 112155000/0 | 11 | 3 | p. 27 | 112735651/0 | 7 | 1 | p. 19 | 122465623/0 | 1 | 1 | p. 27 |
| 112155000/0 | 15 | 3 | p. 29 | 112735651/0 | 7 | 1 | p. 21 | 122465632/0 | 1 | 1 | p. 29 |
| 112291000/0 | 1 | 1 | p. 11 | 112735651/0 | 7 | 1 | p. 23 | 122524329/0 | 5 | 3 | p. 27 |
| 112292100/0 | 11 | 1 | p. 9 | 112735661/0 | 12 | 2 | p. 21 | 122524329/0 | 9 | 3 | p. 29 |
| 112293200/0 | 15 | 4 | p. 3 | 112735661/0 | 12 | 2 | p. 23 | 122524342/0 | 34 | 1 | p. 9 |
| 112293200/0 | 16 | 1 | p. 9 | 112735661/0 | 24 | 2 | p. 19 | 122570128/0 | 29 | 2 | p. 23 |
| 112293200/0 | 20 | 1 | p. 19 | 112735661/0 | 24 | 2 | p. 21 | 122570128/0 | 33 | 2 | p. 19 |
| 112293200/0 | 20 | 1 | p. 21 | 112735661/0 | 26 | 4 | p. 23 | 122601914/0 | 16 | 1 | p. 25 |
| 112293200/0 | 20 | 1 | p. 23 | 112735662/1 | 1 | 2 | p. 25 | 122601915/0 | 20 | 1 | p. 25 |
| 112293201/0 | 19 | 1 | p. 19 | 112735662/1 | 2 | 4 | p. 19 | 122601917/0 | 27 | 1 | p. 25 |
| 112293201/0 | 19 | 1 | p. 21 | 112735662/1 | 2 | 4 | p. 21 | 122601920/0 | 27 | 1 | p. 25 |
| 112293201/0 | 19 | 1 | p. 23 | 112735662/1 | 2 | 4 | p. 23 | 122601932/0 | 13 | 1 | p. 25 |
| 112508100/0 | 5 | 1 | p. 11 | 112735662/1 | 28 | 4 | p. 19 | 122671651/0 | 9 | 3 | p. 27 |
| 112508120/0 | 5 | 1 | p. 29 | 112735662/1 | 28 | 4 | p. 21 | 122671651/0 | 13 | 3 | p. 29 |
| 112521330/0 | 8 | 2 | p. 9 | 112735662/1 | 31 | 4 | p. 19 | 122671656/0 | 21 | 1 | p. 25 |
| 112521330/0 | 12 | 2 | p. 19 | 112735662/1 | 31 | 4 | p. 21 | 122671659/0 | 3 | 2 | p. 19 |
| 112521330/0 | 14 | 2 | p. 19 | 112735662/1 | 33 | 2 | p. 23 | 122671659/0 | 3 | 2 | p. 21 |
| 112521330/0 | 14 | 2 | p. 21 | 112735662/1 | 39 | 2 | p. 23 | 122671659/0 | 3 | 2 | p. 23 |
| 112521330/0 | 14 | 2 | p. 23 | 112736850/0 | 4 | 1 | p. 27 | 122671659/0 | 10 | 2 | p. 19 |
| 112521330/0 | 20 | 1 | p. 9 | 112736850/0 | 7 | 1 | p. 29 | 122671659/0 | 10 | 2 | p. 21 |
| 112521330/0 | 23 | 2 | p. 19 | 112791011/0 | 23 | 1 | p. 25 | 122671659/0 | 10 | 2 | p. 23 |
| 112521330/0 | 27 | 4 | p. 23 | 112793701/0 | 16 | 1 | p. 19 | 122671660/1 | 9 | 2 | p. 9 |
| 112521350/0 | 10 | 3 | p. 27 | 112793701/0 | 16 | 1 | p. 21 | 122671661/0 | 5 | 2 | p. 25 |
| 112521350/0 | 14 | 3 | p. 29 | 112793701/0 | 16 | 1 | p. 23 | 122753002/0 | 4 | 2 | p. 25 |
| 112521360/0 | 4 | 1 | p. 11 | 112800815/0 | 11 | 4 | p. 3 | 135064383/0 | 14 | 1 | p. 25 |
| 112521460/0 | 2 | 2 | p. 25 | 112815030/0 | 8 | 1 | p. 11 | 181000690/0 | 3 | 1 | p. 9 |
| 112521460/0 | 27 | 4 | p. 19 | 114356702/0 | 9 | 1 | p. 11 | 181000692/0 | 3 | 1 | p. 9 |
| 112521460/0 | 27 | 4 | p. 21 | 114356702/0 | 9 | 1 | p. 11 | 181000728/0 | 3 | 1 | p. 9 |
| 112521460/0 | 30 | 4 | p. 19 | 114356703/0 | 9 | 1 | p. 11 | 181000730/0 | 3 | 1 | p. 9 |
| 112521460/0 | 30 | 4 | p. 21 | 114356905/0 | 9 | 1 | p. 11 | 181000732/0 | 3 | 1 | p. 9 |
| 112521460/0 | 32 | 2 | p. 23 | 114364264/0 | 9 | 1 | p. 11 | 181000769/1 | 3 | 1 | p. 9 |
| 112521460/0 | 38 | 2 | p. 23 | 118120052/0 | 4 | 1 | p. 17 | 181003101/2 | 11 | 1 | p. 25 |
| 112523040/0 | 23 | 2 | p. 21 | 118204197/0 | 6 | 1 | p. 17 | 181004138/0 | 2 | 1 | p. 27 |
| 112523080/0 | 16 | 1 | p. 3 | 118204198/0 | 6 | 1 | p. 17 | 181004139/0 | 2 | 1 | p. 29 |
| 112530060/0 | 12 | 1 | p. 9 | 118210016/1 | 13 | 1 | p. 17 | 181007130/0 | 1 | 1 | p. 13 |
| 112530140/0 | 3 | 1 | p. 27 | 118450051/0 | 9 | 1 | p. 17 | 322109530/0 | 5 | 1 | p. 17 |
| 112581500/0 | 2 | 1 | p. 11 | 119035000/0 | 6 | 1 | p. 3 | 322110380/0 | 34 | 4 | p. 23 |
| 112604897/0 | 35 | 1 | p. 9 | 119216038/0 | 31 | 4 | p. 23 | 322110384/0 | 32 | 4 | p. 19 |
| 112604899/0 | 5 | 2 | p. 19 | 119216038/0 | 37 | 4 | p. 23 | 322110492/0 | 35 | 4 | p. 21 |
| 112604899/0 | 5 | 2 | p. 21 | 122033331/0 | 6 | 1 | p. 19 | 322120108/0 | 30 | 2 | p. 23 |
| 112604899/0 | 5 | 2 | p. 23 | 122033331/0 | 6 | 1 | p. 21 | 322171006/0 | 3 | 1 | p. 11 |
| 112645700/0 | 12 | 1 | p. 25 | 122033331/0 | 6 | 1 | p. 23 | 322207221/1 | 7 | 1 | p. 27 |
| 112674701/0 | 15 | 1 | p. 25 | 122034000/0 | 5 | 1 | p. 3 | 322207221/1 | 11 | 1 | p. 29 |
| 112689500/0 | 19 | 1 | p. 25 | 122038406/0 | 6 | 2 | p. 25 | 322226198/0 | 2 | 1 | p. 7 |
| 112714312/0 | 26 | 1 | p. 25 | 122041940/0 | 6 | 1 | p. 29 | 322250012/0 | 8 | 3 | p. 27 |
| 112727784/0 | 2 | 1 | p. 9 | 122122201/0 | 25 | 8 | p. 19 | 322250012/0 | 12 | 3 | p. 29 |
| 112727784/0 | 10 | 2 | p. 9 | 122122201/0 | 25 | 8 | p. 21 | 322320007/0 | 22 | 1 | p. 25 |
| 112727786/0 | 3 | 1 | p. 13 | 122170830/0 | 17 | 1 | p. 19 | 322399812/0 | 17 | 1 | p. 9 |
| 112727786/0 | 26 | 1 | p. 9 | 122170830/0 | 17 | 1 | p. 21 | 322399812/0 | 21 | 1 | p. 19 |
| 112727787/0 | 35 | 2 | p. 25 | 122170830/0 | 17 | 1 | p. 23 | 322399812/0 | 21 | 1 | p. 21 |
| 112727791/0 | 18 | 1 | p. 9 | 122170840/0 | 14 | 1 | p. 9 | 322399812/0 | 21 | 1 | p. 23 |
| 112727792/0 | 31 | 1 | p. 9 | 122170842/0 | 22 | 1 | p. 9 | 322399813/0 | 17 | 1 | p. 3 |
| 112727802/0 | 4 | 1 | p. 3 | 122170843/0 | 25 | 1 | p. 9 | 322399820/0 | 33 | 1 | p. 25 |

| | | | | | | | |
|-------------|----|---|-------|-------------|----|---|-------|
| 322500050/0 | 33 | 1 | p. 9 | 381207225/1 | 11 | 1 | p. 29 |
| 322545139/0 | 8 | 1 | p. 19 | 481007080/0 | 7 | 1 | p. 11 |
| 322545139/0 | 8 | 1 | p. 21 | | | | |
| 322545139/0 | 8 | 1 | p. 23 | | | | |
| 322545157/1 | 1 | 2 | p. 19 | | | | |
| 322545157/1 | 1 | 2 | p. 21 | | | | |
| 322545157/1 | 1 | 2 | p. 23 | | | | |
| 322551529/0 | 13 | 2 | p. 19 | | | | |
| 322551529/0 | 13 | 2 | p. 21 | | | | |
| 322551529/0 | 13 | 2 | p. 23 | | | | |
| 322551639/0 | 4 | 1 | p. 9 | | | | |
| 322551653/0 | 23 | 1 | p. 9 | | | | |
| 322551661/0 | 8 | 1 | p. 25 | | | | |
| 322570129/0 | 33 | 2 | p. 21 | | | | |
| 322600121/0 | 22 | 2 | p. 19 | | | | |
| 322600121/0 | 22 | 2 | p. 21 | | | | |
| 322600122/0 | 29 | 2 | p. 19 | | | | |
| 322600122/0 | 29 | 2 | p. 21 | | | | |
| 322600129/0 | 25 | 2 | p. 23 | | | | |
| 322600130/0 | 35 | 2 | p. 23 | | | | |
| 322672105/0 | 4 | 1 | p. 29 | | | | |
| 322672110/1 | 3 | 2 | p. 29 | | | | |
| 322672201/0 | 6 | 3 | p. 27 | | | | |
| 322672201/0 | 10 | 3 | p. 29 | | | | |
| 322680009/0 | 17 | 1 | p. 25 | | | | |
| 322722800/0 | 8 | 1 | p. 17 | | | | |
| 322722801/0 | 7 | 1 | p. 17 | | | | |
| 322722804/1 | 1 | 1 | p. 15 | | | | |
| 322722805/1 | 3 | 1 | p. 15 | | | | |
| 322735569/0 | 12 | 1 | p. 3 | | | | |
| 322778415/0 | 13 | 1 | p. 3 | | | | |
| 322778417/0 | 9 | 1 | p. 3 | | | | |
| 322785122/0 | 3 | 1 | p. 17 | | | | |
| 322806629/0 | 24 | 1 | p. 25 | | | | |
| 322820054/0 | 8 | 2 | p. 3 | | | | |
| 322869713/0 | 1 | 1 | p. 5 | | | | |
| 381000742/1 | 2 | 1 | p. 15 | | | | |
| 381000745/1 | 19 | 1 | p. 9 | | | | |
| 381002833/2 | 10 | 1 | p. 25 | | | | |
| 381002835/0 | 15 | 1 | p. 19 | | | | |
| 381002835/0 | 15 | 1 | p. 21 | | | | |
| 381002835/0 | 15 | 1 | p. 23 | | | | |
| 381003313/0 | 15 | 1 | p. 9 | | | | |
| 381003317/0 | 18 | 1 | p. 19 | | | | |
| 381003317/0 | 18 | 1 | p. 21 | | | | |
| 381003317/0 | 18 | 1 | p. 23 | | | | |
| 381003318/1 | 6 | 1 | p. 9 | | | | |
| 381004405/0 | 29 | 1 | p. 9 | | | | |
| 381004736/0 | 1 | 1 | p. 3 | | | | |
| 381006361/1 | 14 | 1 | p. 3 | | | | |
| 381006363/3 | 1 | 1 | p. 9 | | | | |
| 381006365/1 | 14 | 1 | p. 3 | | | | |
| 381006367/2 | 1 | 1 | p. 9 | | | | |
| 381006369/0 | 14 | 1 | p. 3 | | | | |
| 381006371/0 | 1 | 1 | p. 9 | | | | |
| 381007112/0 | 32 | 1 | p. 25 | | | | |
| 381007220/0 | 6 | 1 | p. 11 | | | | |
| 381007279/1 | 6 | 1 | p. 11 | | | | |
| 381007361/0 | 26 | 4 | p. 19 | | | | |
| 381007361/0 | 26 | 4 | p. 21 | | | | |
| 381007365/0 | 36 | 2 | p. 23 | | | | |
| 381007367/0 | 28 | 2 | p. 23 | | | | |
| 381008657/0 | 2 | 1 | p. 5 | | | | |
| 381030022/0 | 2 | 1 | p. 15 | | | | |
| 381030024/0 | 2 | 1 | p. 15 | | | | |
| 381207225/1 | 7 | 1 | p. 27 | | | | |